

MOSAIC

Modular Safety Integrated Controller

MOSAIC is the new revolutionary modular and configurable safety controller from REER

This new safety controller is capable of monitoring many safety sensors and commands at the same time. These can be safety light curtains, safety photocells, emergency stops, safety mats, magnetic or mechanical safety switches, two-hand controls, etc.

Thanks to the MOSAIC's modular and expandable structure it is possible to adapt its I/O configuration and functionality to the demands of each application. This makes MOSAIC a highly versatile and flexible safety controller.



MOSAIC has solid state and/or relay outputs. They can be instantaneous or delayed.

Main Features

- Configurable safety controller
- Safety level: SIL 3, PLe, Cat. 4
- Easy and intuitive graphic configuration software (MSD - Mosaic Safety Designer)
- Compact design:
 - Single Main module dimensions 22.5 x 99 x 114.5 mm
- Max 72 inputs and 8 OSSD pairs
- Max 7 expansion units in addition to Master M1
- **M1 stand alone main unit:**
 - 8 safety inputs, 2 OSSD pairs with separate EDM and Start/Restart configurable via PC through USB interface
- MI802 expansion unit:
 - 8 safety inputs, 2 OSSD pairs with separate EDM and Start/Restart
- MI8 and MI16 expansion units:
 - With 8 and 16 safety inputs
 - MO2 and MO4 expansion units:
 - With 2 and 4 OSSD pairs with separate EDM and Start/Restart
- MR2 and MR4 relay units:
 - With 2 and 4 guided contacts safety relays
- MB expansion units for connection to the most common industrial Fieldbus systems:
 - PROFIBUS DP, DeviceNet, CANopen
- Memory card configuration storage (MCM - Mosaic Configuration Memory)



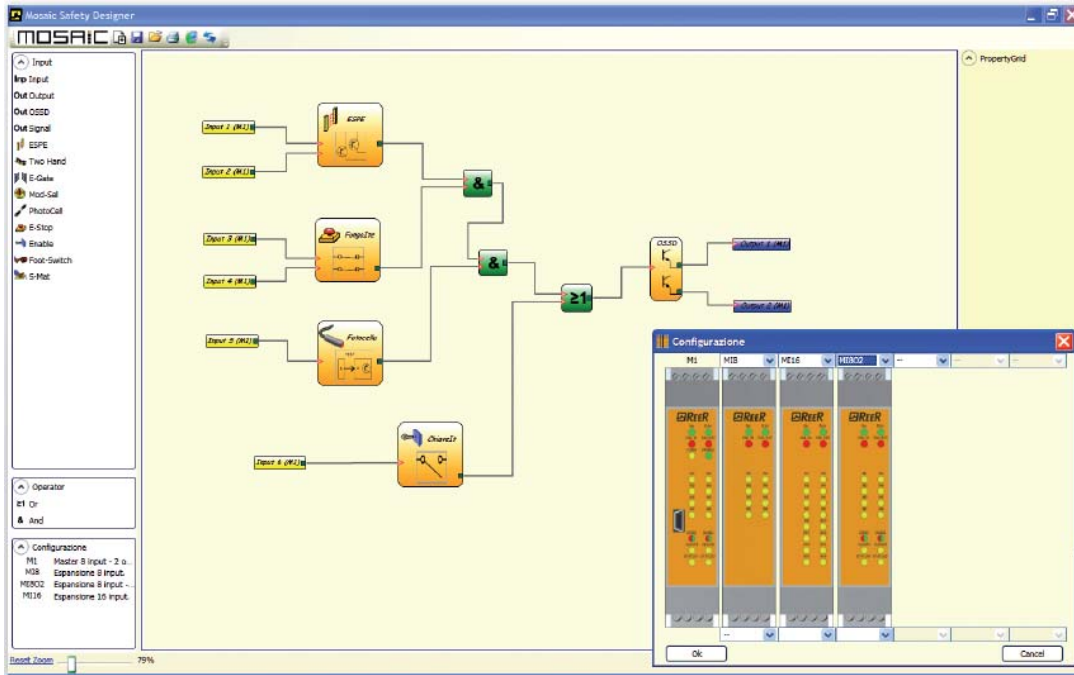
M1 Main Unit 22.5mm

Safety Communication

Communication between units via proprietary high speed bus (MSC - Mosaic Safety Communication)
Simple diagnostics via LED signaling and configuration software.

MOSAIC Safety Designer (MSD)

Mosaic Safety Designer (MSD) software is a user-friendly configuration tool which makes the programming the MOSAIC simple and safe. By selecting the functional icons programming by 'Drag & Drop' configures any of the many safety functions.



Thanks to an accurate functional test feature incorporated into the Mosaic Safety Designer (MSD) software, configuration errors are detected immediately. This also assures configuration errors cannot lead to an unsafe situation and valuable time is not lost during the commissioning of the machine.

In addition, a multi-level password manager in the Mosaic Safety Designer (MSD) gives further security against non-authorized access to the

configuration software.

The MCM is a memory card which can be used to save the configuration data for copying to a new MOSAIC safety controller when required.

Safety level:
Cat. 4
SIL 3 - SILCL 3
PL e - Cat. 4



300 Roundhill Dr.
Rockaway, NJ 07866
Tel: 973-586-2500
www.norstat.com

www.norstatblog.com