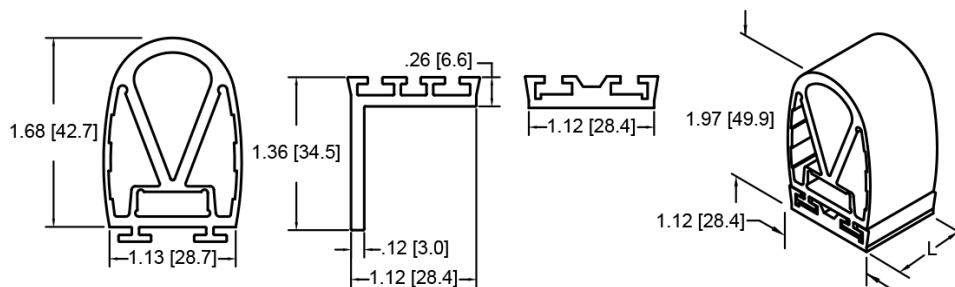
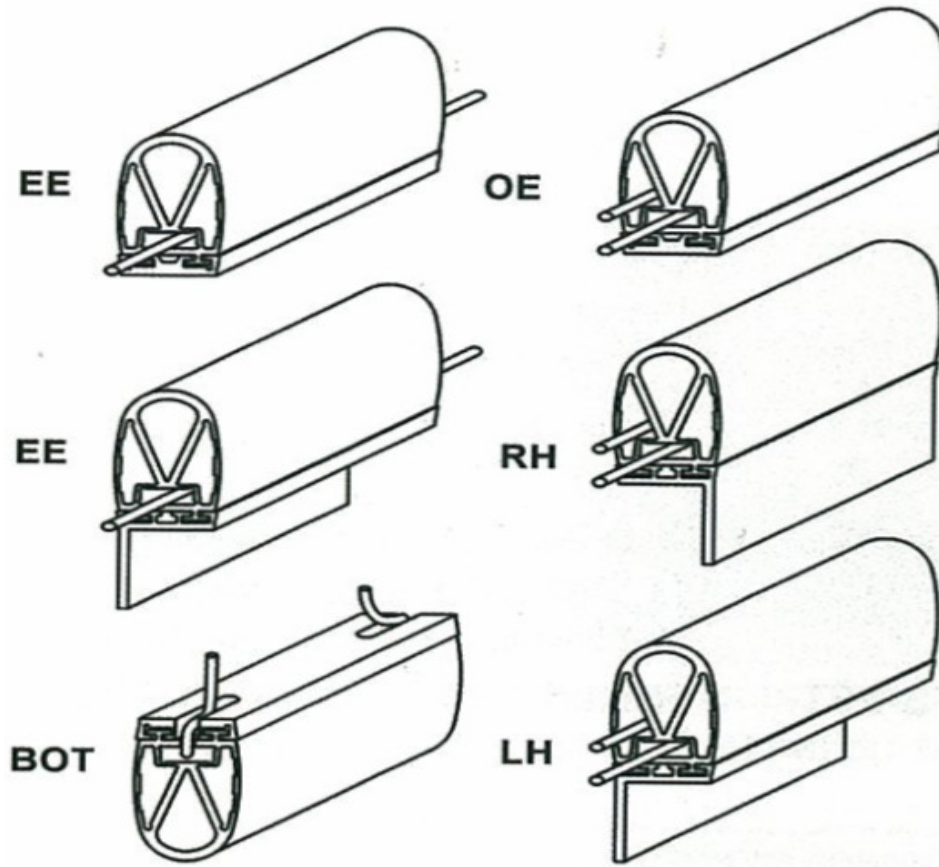




## TS-46 Identification for ordering and cable exit identification



1. Product model number (TS-46)
2. Sensing edge color
3. Sensing edge length
4. Mounting channel type (AA = Aluminum Angle; AF = Aluminum Flat)
5. Lead style (FS = **Fail-Safe** or single lead)
6. Lead exit location (see above)
7. End caps (optional)
8. Quick disconnect (optional)

**Example :**

For a TS-46 edge, in red, that is 12 feet long and mounted in aluminum flat channel, has **Fail-Safe** leads with leads out both ends, the description code would be as follows:

**TS-46, R, 12 feet, AF, F/S, EE**