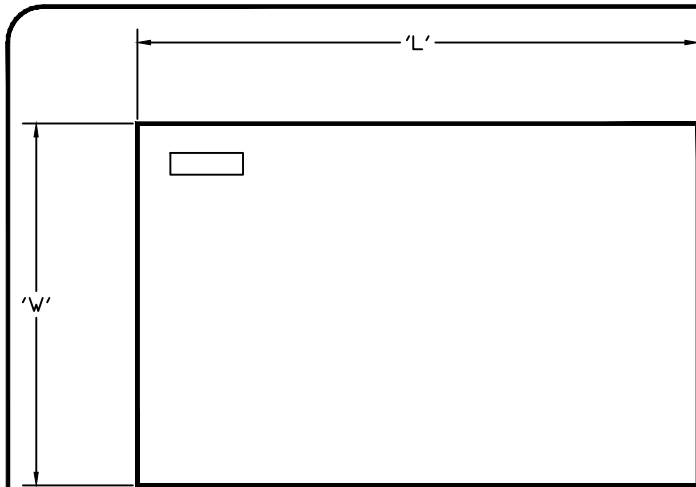


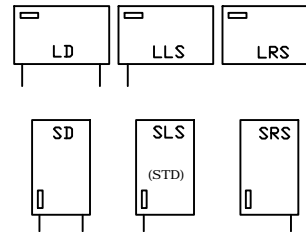
TAPESWITCH CORP.
 FARMINGDALE, NY 11735
 (631) 630-0442

CUSTOMER _____

SKETCH _____



MAT SIZE
 WIDTH _____ ±1/4
 X
 LENGTH _____ ±1/4



SHOW LOCATION OF LEAD EXIT(S)

CUST. _____
 CUST. NO _____
 SALES ORDER _____
 QTY _____ DUE DATE _____

QUICK DICONNECT OPTION

QD-CKP (SEE P96-9-1)
 QD-AMCKP (SEE P96-10-1)
 USE P06-11-2 ASSY INSTRUCTIONS
 (MAX LEAD LENGTH, 12 FT)
 INCLUDE 1 LINE CORD (P06-11-1)

TYPE OF MAT

- CKP CUSTOM (P96-9-1)
- AMCKP CUSTOM (P96-10-1)

TYPE OF EDGING

- NONE
- AE1
- AE2
- AE3

EDGES

- RAMP (ALL 4 IS STD)
- SQUARE
- MIXED (MARK "R" OR "S")

LEAD LENGTH

- 6 FT. (STANDARD)
- OPTIONAL

MATERIAL

- (STD) BLK 1/4" TOP, 3/16" BOT
- BLUE 1/4" TOP, BLK 3/16" BOT
- YELLOW 1/4" TOP, BLK 3/16" BOT
- OTHER (SPECIFY _____)

LEAD TYPE

- (STD) 18/4 1/4" DRUN BLK (10443)
- 20/2, 3/16 DRUN BLK (10439)

INTERCONNECT

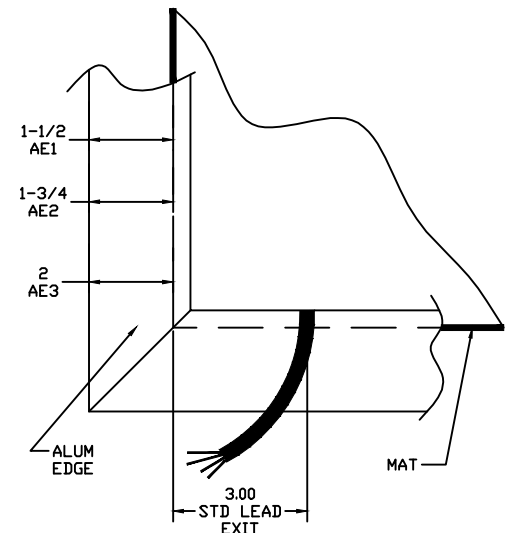
- NONE
- 18/4 1/4" DRUN BLK x 18" (10443)
- OTHER (SPECIFY _____)

LOCATION OF INTERCONNECT

- NONE
- MARK DRAWING

LOCATION OF LEAD EXIT

- STANDARD
- OPTIONAL (MARK DWG)



TOTAL OVERALL DIMENSION
 OF EDGING WITH MAT INSTALLED
 _____ ±1/4 X _____ ±1/4